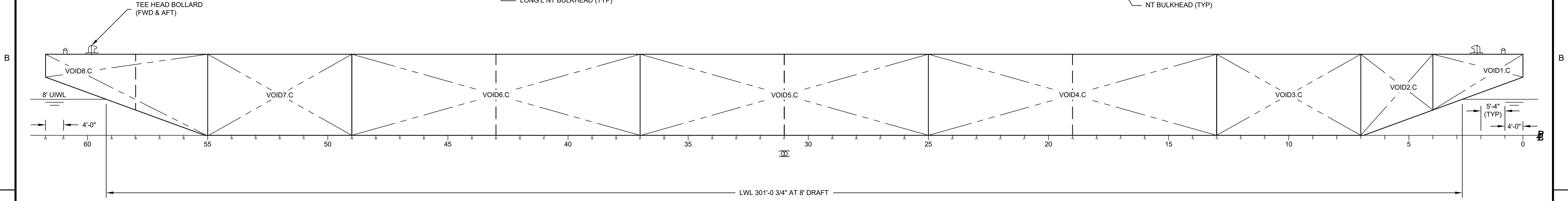


PLAN 2-4B
HOLD PLAN
3/32"=1'-0"



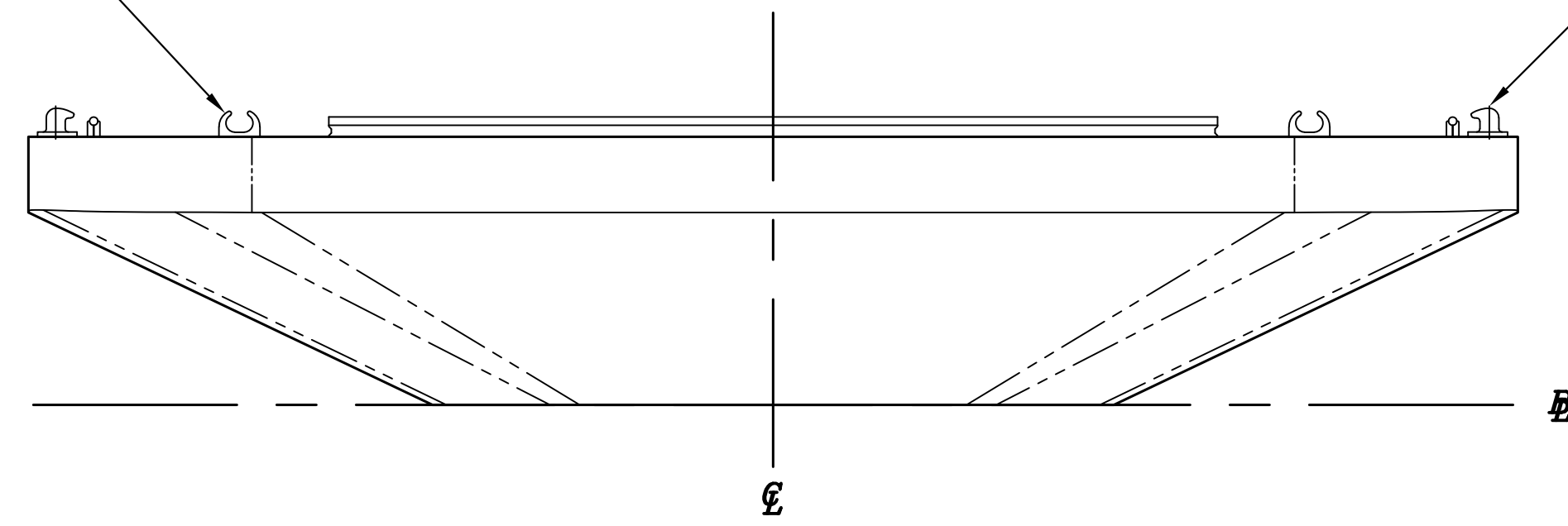
PROFILE 2-4A
INBOARD PROFILE
SHORE SIDE, LOOKING TO PORT
3/32"=1'-0"



				USACE MARINE DESIGN CENTER PHILADELPHIA, PENNSYLVANIA	
NSF MCMURDO OFFSHORE INFRASTRUCTURE FLOATING BARGE PIER 328' X 100' X 18' GENERAL ARRANGEMENTS & INBOARD PROFILE					
		Glosten		More than DESIGN. 1201 WESTERN AVENUE, SUITE 200 SEATTLE, WASHINGTON 98101 T +1 206.624.7850 GLOSTEN.COM	
MDC Project Number	Drawn by	Checked by	Approved by	Size	Date
3438	CCA	ALG	BGL	D	2023/06/09
Glosten File Number	Scale	Drawing Number	Sheet	of	Revision
22105.01	AS NOTED	887-B215-01	2	3	-

OPEN CHOCK (P&S)

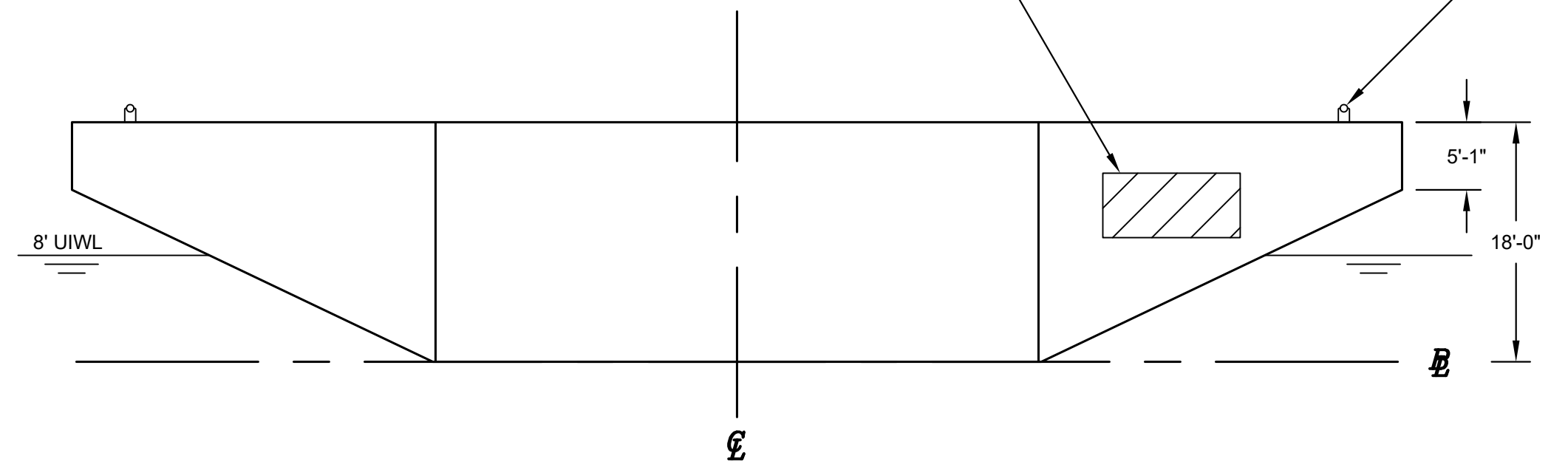
TEE HEAD BOLLARD (P&S)



SECTION 3-6C
FR 0, LOOKING AFT
3/32"=1'-0"

BALLAST BINS (4 PLACES)

BULL RAIL

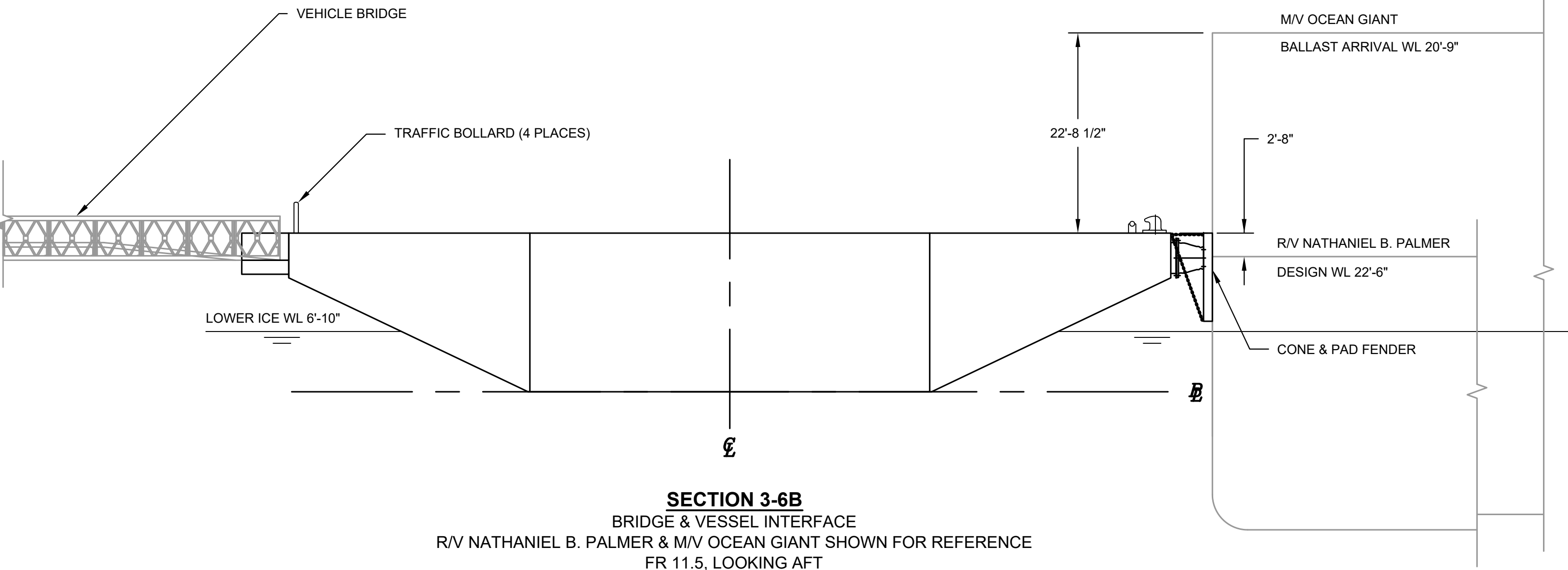


SECTION 3-2C
BALLAST BINS
FR 29, LOOKING AFT
3/32"=1'-0"

VEHICLE BRIDGE

TRAFFIC BOLLARD (4 PLACES)

LOWER ICE WL 6'-10"

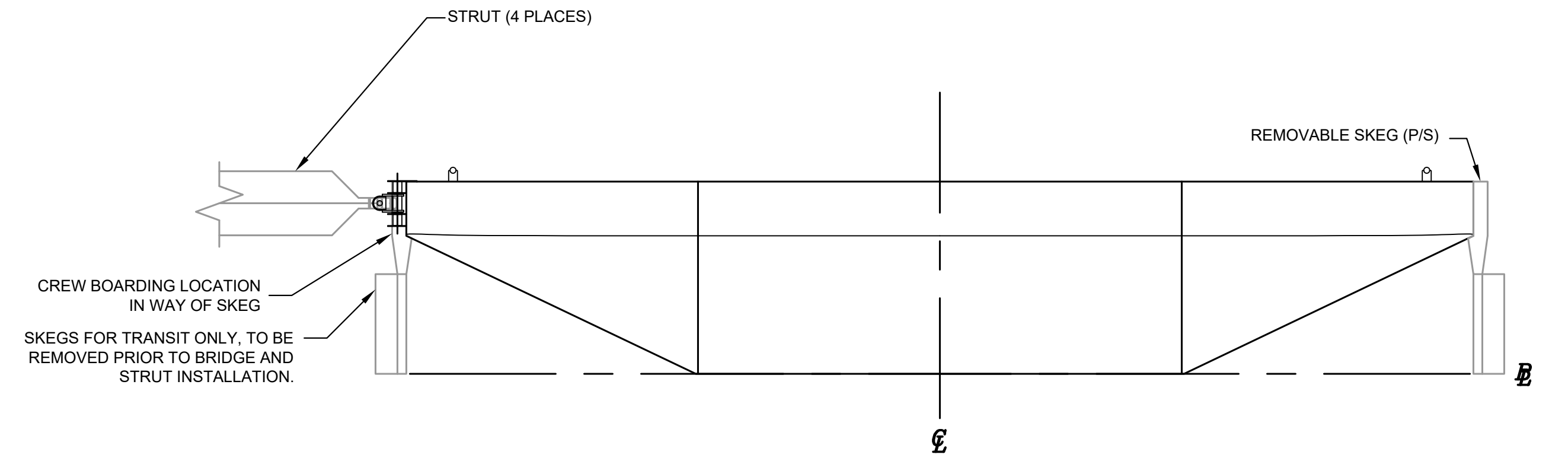


SECTION 3-6B
BRIDGE & VESSEL INTERFACE
R/V NATHANIEL B. PALMER & M/V OCEAN GIANT SHOWN FOR REFERENCE
FR 11.5, LOOKING AFT
3/32"=1'-0"

STRUT (4 PLACES)

REMOVABLE SKEG (P/S)

CREW BOARDING LOCATION
IN WAY OF SKEG
SKEGS FOR TRANSIT ONLY, TO BE
REMOVED PRIOR TO BRIDGE AND
STRUT INSTALLATION.



SECTION 3-2B
FR 51, LOOKING AFT
3/32"=1'-0"



				USACE MARINE DESIGN CENTER PHILADELPHIA, PENNSYLVANIA	
		NSF MCMURDO OFFSHORE INFRASTRUCTURE FLOATING BARGE PIER 328' X 100' X 18' GENERAL ARRANGEMENTS & INBOARD PROFILE			
		Glosten		More than DESIGN. 1201 WESTERN AVENUE, SUITE 200 SEATTLE, WASHINGTON 98101 T +1 206.624.7850 GLOSTEN.COM	
MDC Project Number 3438	Drawn by CCA	Checked by ALG	Approved by BGL	Size D	Date 2023/06/09
Glosten File Number 22105.01	Scale AS NOTED	Drawing Number 887-B215-01	Sheet 3	of 3	Revision -